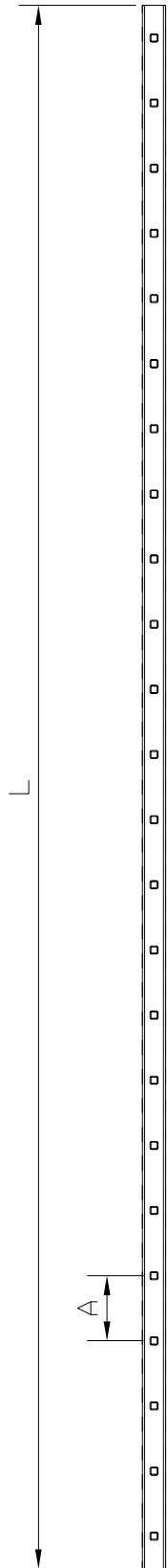
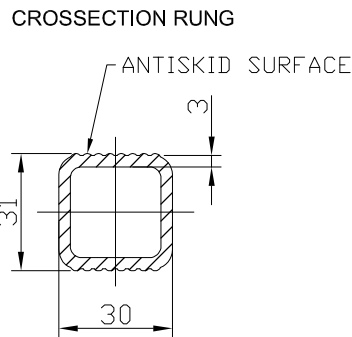
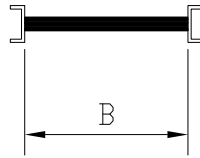
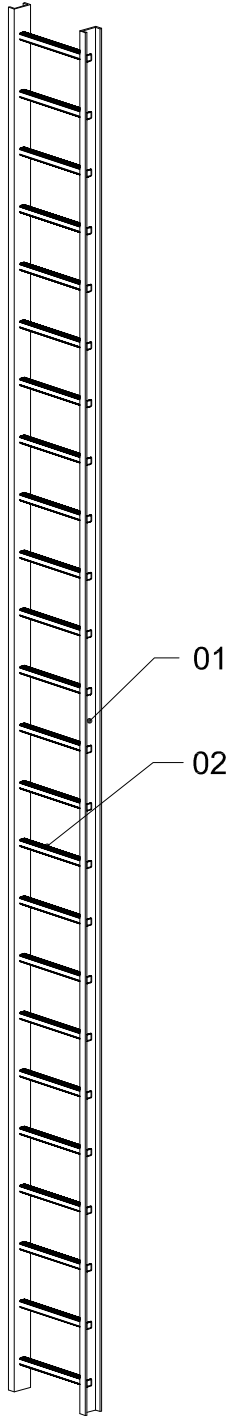


Intermodule® Simple Ladder IM-SL series



02	Rung 30x31 mm
01	Ladder stile U-90x35 mm

B	500mm, 400 mm
A	250 mm
L	max. 6000 mm

Quality: ISO-FR  
Colour: Yellow

1.	MSO		13-06-2012
REV.	BY	APP.BY	DATE

FABRICATION TOLERANCES UNLESS NOTED OTHERWISE

Dimensions according to STN EN ISO 14122-4:2016

DO NOT STACK TOLERANCES

CUSTOMER: Intermodules® Ladders		
DRAWING DESCRIPTION: IM-SL Series		
DRAWN: MSO	SCALE: n/a	W.O.NO.: -
APPROVED: -	DATE: 01-01-2017	DWGSH: -
BID BY: -		REV: 2

THIS DRAWING AND ALL DESIGN INFORMATION IS THE SOLE PROPERTY OF FIBERSTRUCT S.R.L. DRAWING IS NOT TO BE DISCLOSED OR COPIED WITHOUT THE WRITTEN AUTHORISATION OF FIBERSTRUCT S.R.L.

